



figure

215

ends  
formflange  
straight

## STOP VALVE



body material	nominal pressure	nominal diameter	max temperature
<b>A</b> grey cast iron	<b>A</b> 6 bar <b>C</b> 16 bar	<b>DN</b> 15-300	300°C
<b>C</b> nodular cast iron	<b>C</b> 16 bar <b>D</b> 25 bar	<b>DN</b> 15-200	350°C
<b>E</b> bronze	<b>C</b> 16 bar <b>B</b> 10 bar <b>A</b> 6 bar	<b>DN</b> 15-125 <b>DN</b> 150-200 <b>DN</b> 250-300	225°C
<b>F</b> cast steel	<b>E</b> 40 bar	<b>DN</b> 15-150 *	400°C

\* DN 200 on request



correspond to the pressure equipment directive 97/23/EC  
marking CE for DN≥32

### FEATURES

- high tightness (leakproofness class - A acc. EN -12266 - 1)
- compact settlement
- environment-friendly
- tests acc. EN - 12266 - 1
- flanges drilled according to EN 1092-2 for body material A, C, E
- flanges drilled according to EN 1092-1 for body material F
- face-to-face dimension according to EN 558-1 series 1

### APPLICATION

- hot cold and cooling water plants
- steam plants
- industrial technologies
- heat engineering
- power engineering

Data given can be changed without notice.

Edition 01/2013



figure

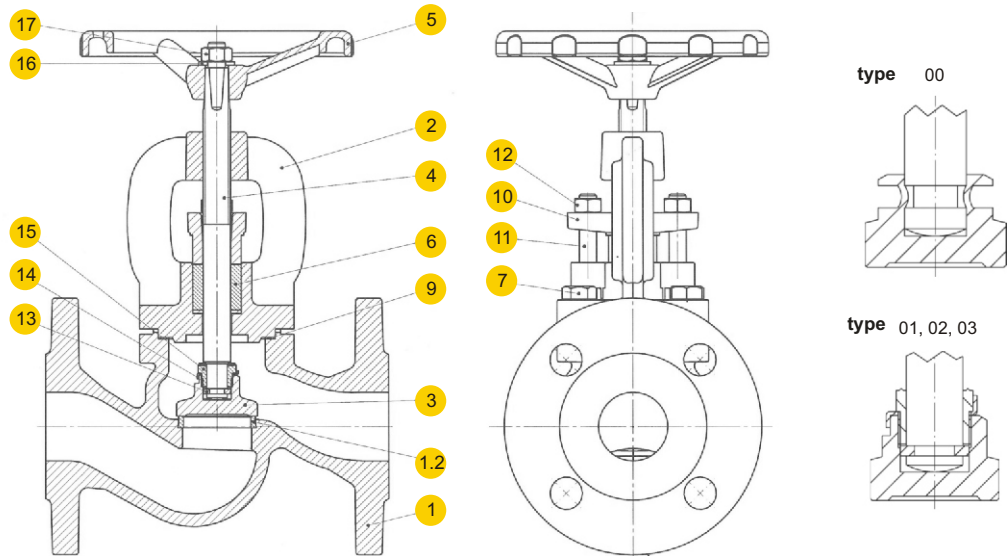
215

ends  
form

flange  
straight

**MATERIALS**

**STOP VALVE**



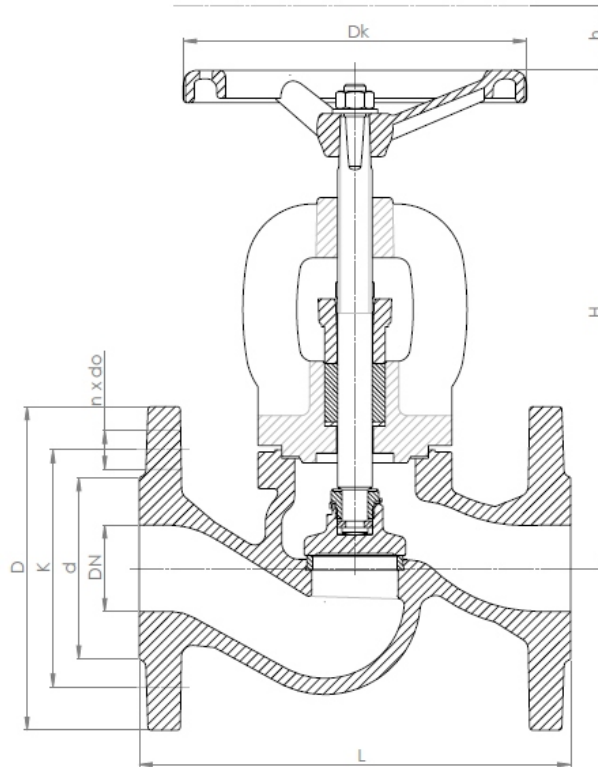
body material		A				C			E
type		00	01;04;71;91	02;05;72;92	03;13	01;04;71;91	02;05;72;92	03;13	03;23;73;93
1	body	EN – GJL-250 5.1301 (ex. JL1040)				EN – GJS-400 – 18-LT 5.3103 (ex.JS1025)			CuSn5Zn5Pb5-C CC491K
1.2	seat ring	X12Cr13 1.4006		CuSn10 – C CC480K		X12Cr13 1.4006	CuSn10 – C CC480K		CuSn5Zn5Pb5-C CC491K
2	bonnet	EN – GJL-250 5.1301 (ex. JL1040)				EN – GJS-400 – 18-LT 5.3103 (ex.JS1025)			CuSn5Zn5Pb5-C CC491K
3	disc	X20Cr13 1.4021		CuSn10 – C CC480K		X20Cr13 1.4021	CuSn10 – C CC480K		CuSn5Zn5Pb5-C CC491K
4	stem	X20Cr13 1.4021		CuZn40Mn1,5	CuSn10 – C CC480K	X20Cr13 1.4021	CuZn40Mn1,5	CuSn10 – C CC480K	CuZn35Ni
5	hand-wheel	EN-GJS500-7 5.3200 (ex.JS1050)							
6	gland packing	graphite							
7	hexagon bolt	8.8				A2-70	8.8		A2-70
9	gasket	graphite+ NiCr							
10	gland	EN – GJL-250 5.1301 (ex. JI1040)				EN – GJS-400 – 18-LT 5.3103 (ex.JS1025)			CuSn5Zn5Pb5-C CC491K
11	T-bolt	5.8 + zinc galvanized							A2-70
12	nut	8 + zinc galvanized							A2-70
13	ring	-----	X20Cr13 1.4021	CuSn10 – C CC480K		X20Cr13 1.4021	CuSn10 – C CC480K		CuSn5Zn5Pb5-C CC491K
14	washer	-----	X6CrNiTi18-10 1.4541	CuSn6		X6CrNiTi18-10 1.4541	CuSn6		CuSn6
15	screw	-----	X20Cr13 1.4021	CuSn10 – C CC480K		X20Cr13 1.4021	CuSn10 – C CC480K		CuSn5Zn5Pb5-C CC491K
16	washer	carbon steel + zinc galvanised							X5CrNi18-10 1.4301
17	nut	8 + zinc galvanised							A2-70
max. temperature		300°C	300°C	225°C		350°C	225°C	225°C	200°C

Data given can be changed without notice.

Edition 01/2013



**DIMENSIONS** **STOP VALVE**



DN	PN 6				PN 16				PN 25				PN 6, 16, 25					
	D	d	K	n x d	D	d	K	n x d	D	d	K	n x d	Dk	h	L	H		Kv <sub>s</sub>
mm																	kg	m <sup>3</sup> /h
15	80	38	55	4x11	95	46	65	4x14	95	46	65	4x14	100	5	130	167	3,3	5,9
20	90	48	65	4x11	105	56	75	4x14	105	56	75	4x14	100	5,5	150	167	3,9	7,4
25	100	58	75	4x11	115	65	85	4x14	115	65	85	4x14	120	7	160	175	5,0	13,0
32	120	69	90	4x14	140	76	100	4x19	140	76	100	4x19	120	14	180	186	6,6	18,0
40	130	78	100	4x14	150	84	110	4x19	150	84	110	4x19	160	20	200	235	8,4	30,0
50	140	88	110	4x14	165	99	125	4x19	165	99	125	4x19	160	25	230	248	12,0	41,0
65	160	108	130	4x14	185	118	145	4x19	185	118	145	8x19	180	35	290	260	17,3	79,0
80	190	124	150	4x19	200	132	160	8x19	200	132	160	8x19	200	41	310	291	22,7	115
100	210	144	170	4x19	220	156	180	8x19	235	156	190	8x23	250	31	350	338	35,8	181
125	240	174	200	8x19	250	184	210	8x19	270	184	220	8x28	250	48	400	384	52,8	225
150	265	199	225	8x19	285	211	240	8x23	300	211	250	8x28	320	54	480	429	74,2	364
200	320	254	280	8x19	340	266	295	12x23	360	274	310	12x28	360	77	600	529	126	690
250	-	-	-	-	405	319	355	12x28	-	-	-	-	360	120	730	638	200	1010
300	-	-	-	-	460	370	410	12x28	-	-	-	-	500	120	850	710	315	1460

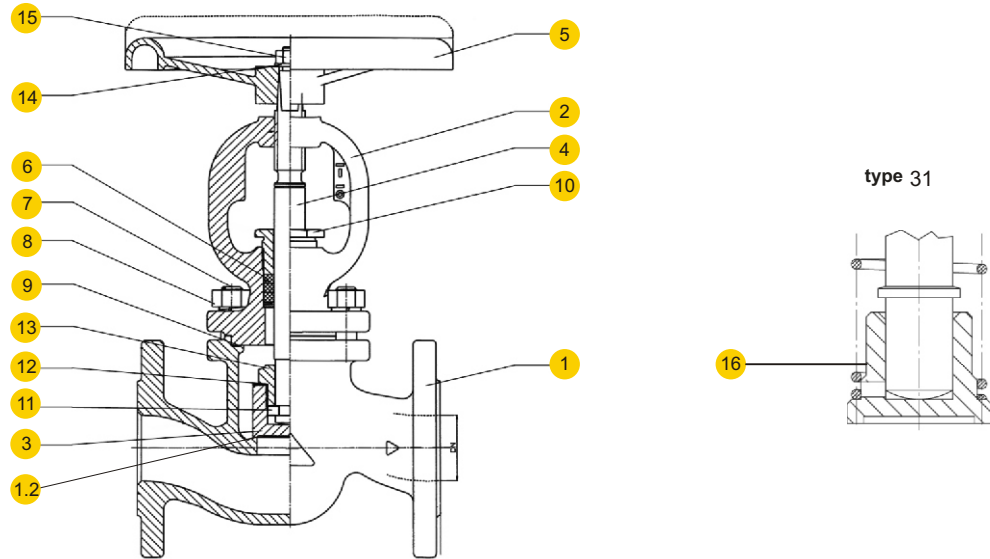
Data given can be changed without notice.

Edition 01/2013



figure	<b>215</b>
ends form	flange straight

## MATERIALS



body material		F	
type		01,71	31
1	body	GP240GH+N 1.0619	
1.2	seat ring	G18 8Mn 1.4370	
2	bonnet	GP240GH+N 1.0619	
3	disc	X20Cr13 1.4021	
4	stem	X20Cr13 1.4021	
5	hand-wheel	EN – GJS-400 – 18-LT 5.3103 (ex.JS1025)	
6	gland packing	all- graphite	
7	stud bolt	42CrMo5 1.7233	
8	nut	C35 1.1181	
9	gasket	graphite+ NiCr	
10	gland	11SMnPb30 1.0718	
11	ring	X20Cr13 1.4021	-----
12	washer	X6CrNiTi18-10 1.4541	-----
13	screw	X20Cr13 1.4021	-----
14	washer	carbon steel + zinc galvanised	
15	nut	carbon steel + zinc galvanised	
16	spring	-----	X17CrNi16-2 1.4057
max. temperature		400°C	

Data given can be changed without notice.

Edition 01/2013



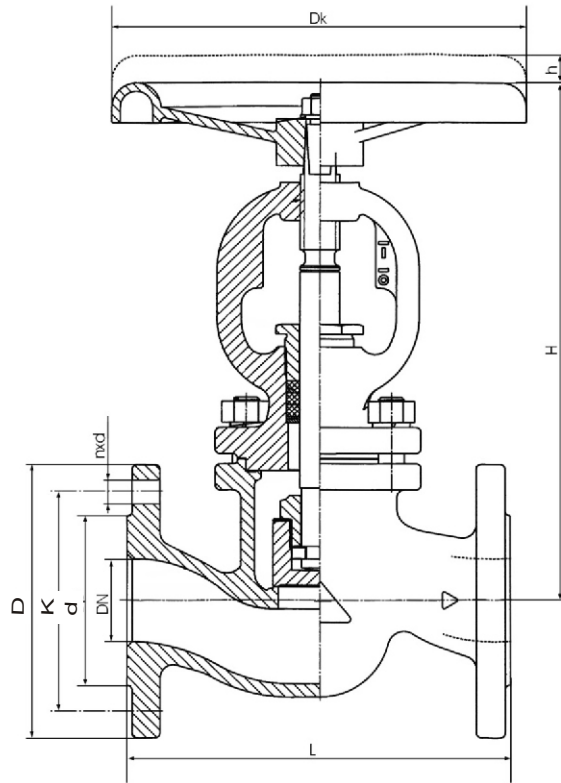
figure

215

ends  
form

flange  
straight

## DIMENSIONS



DN	PN 40									K v <sub>s</sub>	
	D	d	K	n x d	h	H	L	Dk			
mm									m <sup>3</sup> /h	kg	
15	95	45	65	4×14	6	208	130	120	4,3	4,3	
20	105	58	75	4×14	6	208	150	120	7,0	5,1	
25	115	68	85	4×14	6	208	160	120	11,0	5,8	
32	140	78	100	4×18	10	248	180	180	17,5	9,5	
40	150	88	110	4×18	10	248	200	180	27,0	9,8	
50	165	102	125	4×18	16,5	332	230	250	47,0	17,5	
65	185	122	145	8×18	16,5	332	290	250	68,0	20,5	
80	200	138	160	8×18	25	407	310	250	116,0	34	
100	235	162	190	8×22	25	407	350	250	162,0	44	
125	270	188	220	8×26	40	571	400	320	250,0	77	
150	300	218	250	8×26	40	571	480	320	364,0	113	
200	375	285	320	12×30	92	571	600	400	550,0	180	

Data given can be changed without notice.

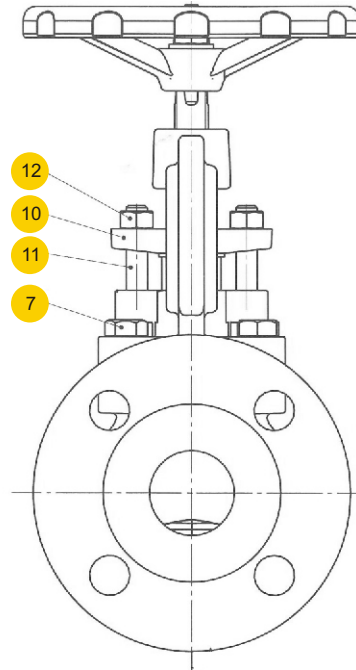
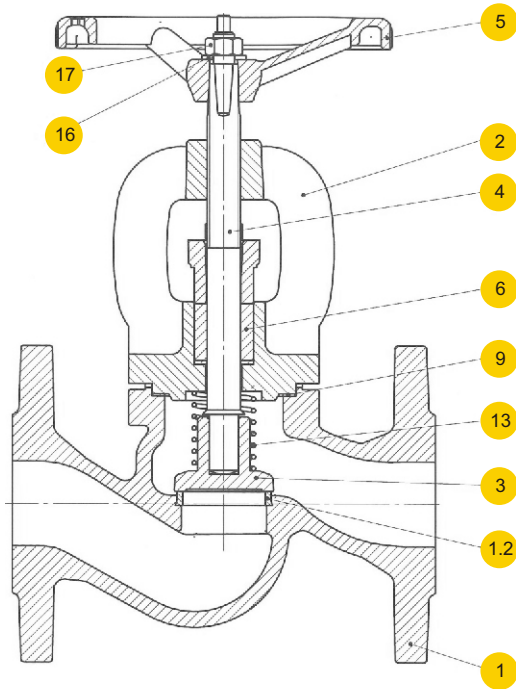
Edition 01/2013



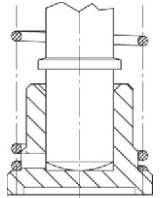
figure	<b>215</b>
ends form	flange straight

**MATERIALS**

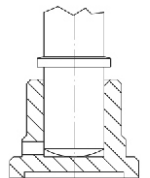
**SCREW-DOWN STOP AND CHECK VALVE**



type 31, 32, 33



type 41, 42, 43



	body material	A			C			E
	type	31;41*	32;42*	33;43*	31;41*	32;42*	33;43*	31;41*
1	body	EN – GJL-250 5.1301 (ex. JI1040)			EN – GJS-400 – 18-LT 5.3103 (ex.JS1025)			CuSn5Zn5Pb5-C CC491K
1.2	seat ring	X12Cr13 1.4006	CuSn10 – C CC480K		X12Cr13 1.4006	CuSn10 – C CC480K		CuSn5Zn5Pb5-C CC491K
2	bonnet	EN – GJL-250 5.1301 (ex. JI1040)			EN – GJS-400 – 18-LT 5.3103 (ex.JS1025)			CuSn5Zn5Pb5-C CC491K
3	disc	X20Cr13 1.4021	CuSn10 – C CC480K		X20Cr13 1.4021	CuSn10 – C CC480K		CuSn5Zn5Pb5-C CC491K
4	stem	X20Cr13 1.4021	CuZn40Mn1,5	CuSn10 – C	X20Cr13 1.4021	CuZn40Mn1,5	CuSn10 – C	CuZn35Ni
5	hand-wheel	EN-GJS500-7 5.3200 (ex.JS1050)						
6	gland packing	all- graphite						
7	hexagon bolt	8.8			A2-70	8.8		A2-70
9	gasket	graphite+ NiCr						
10	gland	EN – GJL-250 5.1301 (ex. JI1040)			EN – GJS-400 – 18-LT 5.3103 (ex.JS1025)			CuSn5Zn5Pb5-C CC491K
11	T-bolt	5.8 + zinc galvanized						A2-70
12	nut	8 + zinc galvanized						A2-70
13	spring	X17CrNi16-2	X17CrNi16-2 1.4057	X17CrNi16-2	X17CrNi16-2 1.4057			CuSn6
14	washer	carbon steel + zinc galvanized						X5CrNi18-10 1.4301
15	nut	8 zine galvanized						A2-70
	max. temperature	350°C	225°C	225°C	350°C	225°C	225°C	200°C

\*bez sprężyny / without spring

Data given can be changed without notice.

Edition 01/2013



figure

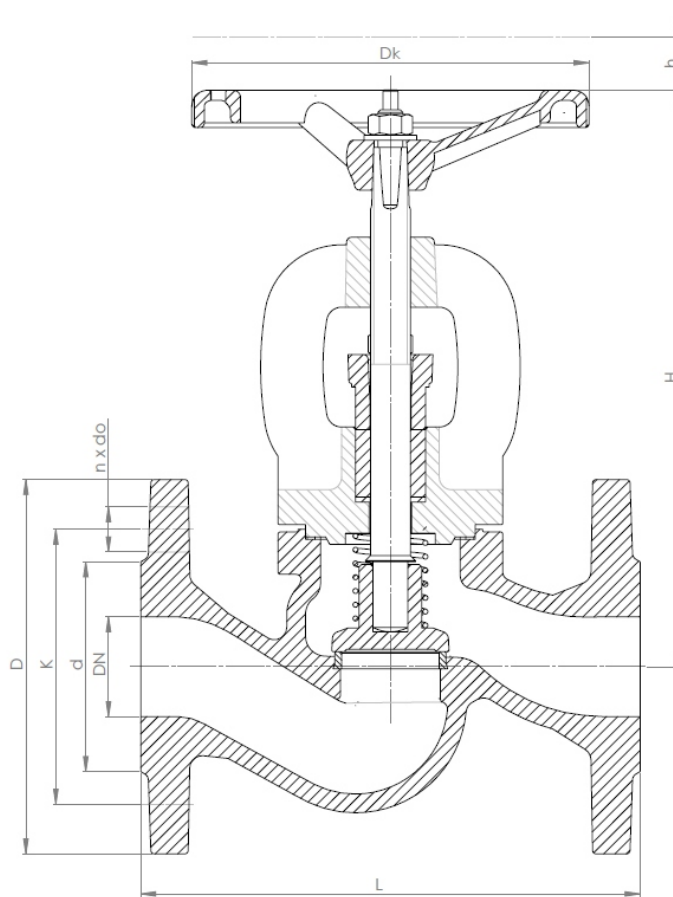
215

ends  
form

flange  
straight

**DIMENSIONS**

**SCREW-DOWN STOP AND CHECK VALVE**



DN	PN 6				PN 16				PN 25				PN 6,16,25				K <sub>v</sub> s		
	D	d	K	n x d	D	d	K	n x d	D	d	K	n x d	Dk	h	L	H		kg	m <sup>3</sup> /h
mm																			
15	80	38	55	4×11	95	46	65	4 x 14	95	46	65	4 x 14	100	5	130	167	3,3	5,9	
20	90	48	65	4×11	105	56	75	4 x 14	105	56	75	4 x 14	100	5,5	150	167	3,9	7,4	
25	100	58	75	4×11	115	65	85	4 x 14	115	65	85	4 x 14	120	7	160	175	5	13	
32	120	69	90	4 x 14	140	76	100	4 x 19	140	76	100	4 x 19	120	14	180	186	6,6	18	
40	130	78	100	4 x 14	150	84	110	4 x 19	150	84	110	4 x 19	160	20	200	235	8,4	30	
50	140	88	110	4 x 14	165	99	125	4 x 19	165	99	125	4 x 19	160	25	230	248	12	41	
65	160	108	130	4 x 14	185	118	145	4 x 19	185	118	145	8 x 19	180	35	290	260	17,3	79	
80	190	124	150	4 x 19	200	132	160	8 x 19	200	132	160	8x 19	200	41	310	291	22,7	115	
100	210	144	170	4 x 19	220	156	180	8 x 19	235	156	190	8 x 19	250	31	350	338	35,8	181	
125	240	174	200	8 x 19	250	184	210	8 x 19	270	184	220	8 x 23	250	48	400	384	52,8	225	
150	265	199	225	8 x 19	285	211	240	8 x 23	300	211	250	8 x 28	320	54	480	429	74,2	364	
200	320	254	280	8 x 19	340	266	295	12 x 23	360	274	310	12 x 28	360	77	600	529	126	690	
250	-	-	-	-	405	355	355	12 x 28	-	-	-	-	360	120	730	638	200	1010	
300	-	-	-	-	460	370	410	12 x 28	-	-	-	-	500	120	850	710	315	1460	

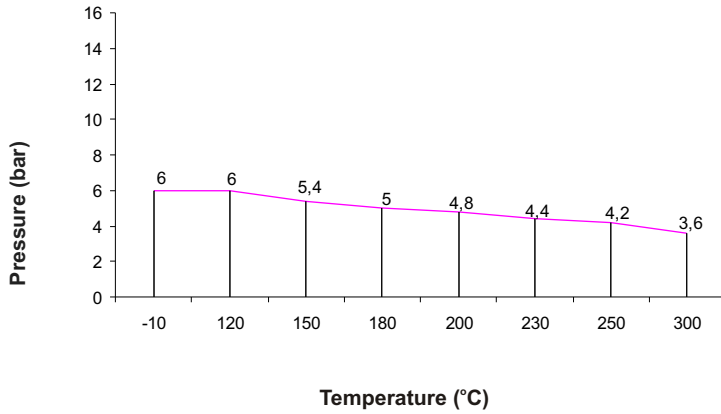
Data given can be changed without notice.

Edition 01/2013

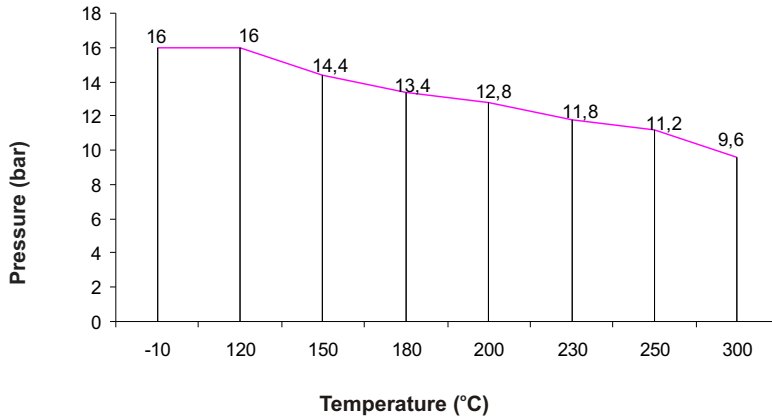


figure	215
ends form	flange straight

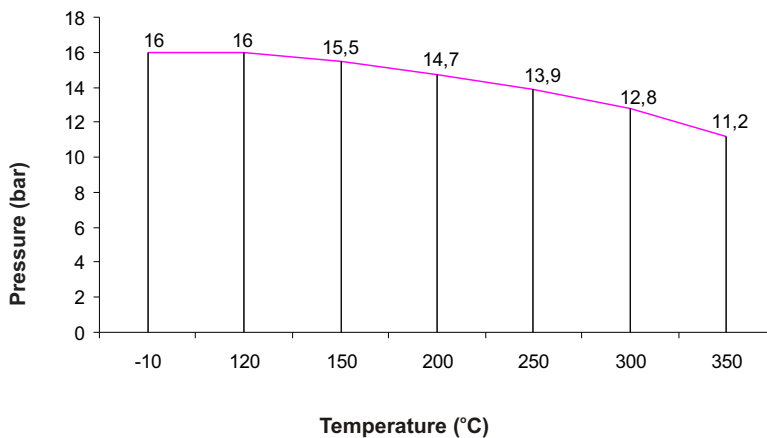
## PRESSURE-TEMPERATURE RATINGS



Allowed working conditions range  
PN 6 EN-GJL-250



Allowed working conditions range  
PN 16 EN-GJL-250



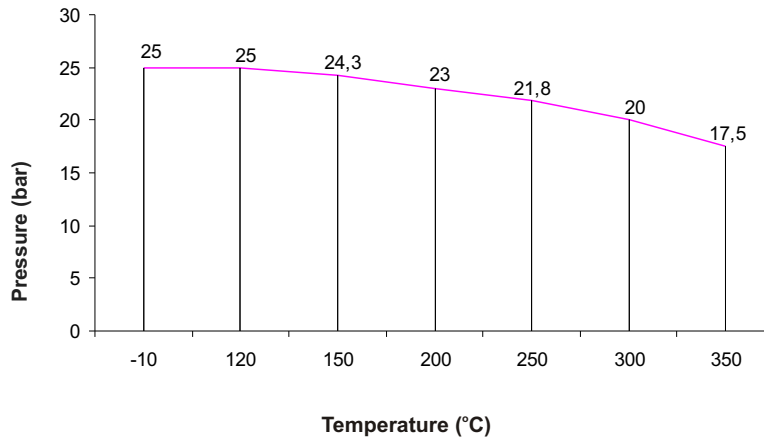
Allowed working conditions range  
PN 16 EN-GJS-400-18-LT



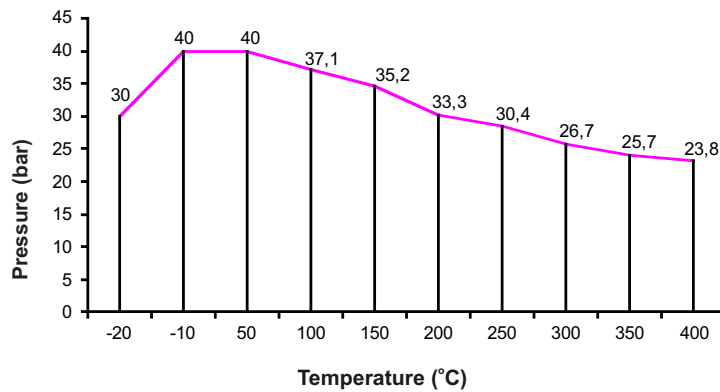


figure	215
ends form	flange straight

## PRESSURE-TEMPERATURE RATINGS



Allowed working conditions range  
PN 25 EN-GJS-400-18-LT



Allowed working conditions range  
PN 40 GP24GH 1.0619



figure	<b>215</b>
ends form	flange straight

## TYPES

figure	body material	nominal diameter DN	nominal pressure PN	type
215	A grey cast iron EN-GJL-250	15-50 mm	A 6bar	00 • stem and disc connection - fixed - rolled • stem, disc and seat ring - stainless steel
		15-150 mm	A 6bar	01 • stem and disc connection - nut • stem, disc and seat ring - stainless steel
		200-300 mm	A 6bar	04 • stem and disc connection - nut • stem, disc and seat ring - stainless steel • balancing disc
		15-150 mm	A 6bar	02 • stem and disc connection nut • stem - brass, disc and seat ring - bronze
		200-300 mm	A 6bar	05 • stem and disc connection - nut • stem- brass, disc and seat ring - bronze • balancing disc
		15-150 mm	A 6bar	03 • stem and disc connection nut • stem, disc and seat ring - bronze
		200-300 mm	A 6bar	13 • stem and disc connection - nut • stem, disc and seat ring - bronze • balancing disc
		15-300 mm	A 6bar	31 • loose disc with spring • stem, disc and seat ring - stainless steel
		15-300 mm	A 6bar	41 • loose disc without spring • stem, disc and seat ring - stainless steel
		15-300 mm	A 6bar	32 • loose disc with spring • stem - brass, disc and seat ring - bronze
		15-300 mm	A 6bar	42 • loose disc without spring • stem - brass, disc and seat ring - bronze
		15-300 mm	A 6bar	33 • loose disc with spring • stem, disc and seat ring - bronze
		15-300 mm	A 6bar	43 • loose disc without spring • stem, disc and seat ring - bronze
		15-300 mm	A 6bar	71 • stem and disc connection - nut • stem, throttling disc and seat ring - stainless steel • throttling disc • without position indicator
		15-300 mm	A 6bar	91 • stem and disc connection - nut • stem, throttling disc and seat ring - stainless steel • throttling disc • with position indicator
		15-300 mm	A 6bar	72 • stem and disc connection - nut • stem- brass, throttling disc and seat ring - bronze • throttling disc • without position indicator
		15-300 mm	A 6bar	92 • stem and disc connection - nut • stem - brass, throttling disc and seat ring - bronze • throttling disc • with position indicator

Data given can be changed without notice.

Edition 01/2013



figure	<b>215</b>
ends form	flange straight

## TYPES

figure	body material	nominal diameter DN	nominal pressure PN	type
215	A grey cast iron EN-GJL-250	15-50 mm	C 16bar	<b>00</b> * stem and disc connection - fixed - rolled * stem, disc and seat ring - stainless steel
		15-150 mm	C 16bar	<b>01</b> * stem and disc connection - nut * stem, disc and seat ring - stainless steel
		200-300 mm	C 16bar	<b>04</b> * stem and disc connection - nut * stem, disc and seat ring - stainless steel * balancing disc
		15-150 mm	C 16bar	<b>02</b> * stem and disc connection nut * stem - brass, disc and seat ring - bronze
		200-300 mm	C 16bar	<b>05</b> * stem and disc connection - nut * stem- brass, disc and seat ring - bronze * balancing disc
		15-150 mm	C 16bar	<b>03</b> * stem and disc connection nut * stem, disc and seat ring - bronze
		200-300 mm	C 16bar	<b>13</b> * stem and disc connection - nut * stem, disc and seat ring - bronze * balancing disc
		15-300 mm	C 16bar	<b>31</b> * loose disc with spring * stem, disc and seat ring - stainless steel
		15-300 mm	C 16bar	<b>41</b> * loose disc without spring * stem, disc and seat ring - stainless steel
		15-300 mm	C 16bar	<b>32</b> * loose disc with spring * stem - brass, disc and seat ring - bronze
		15-300 mm	C 16bar	<b>42</b> * loose disc without spring * stem - brass, disc and seat ring - bronze
		15-300 mm	C 16bar	<b>33</b> * loose disc with spring * stem, disc and seat ring - bronze
		15-300 mm	C 16bar	<b>43</b> * loose disc without spring * stem, disc and seat ring - bronze
		15-300 mm	C 16bar	<b>71</b> * stem and disc connection - nut * stem, throttling disc and seat ring - stainless steel * throttling disc * without position indicator
		15-300 mm	C 16bar	<b>91</b> * stem and disc connection - nut * stem, throttling disc and seat ring - stainless steel * throttling disc * with position indicator
		15-300 mm	C 16bar	<b>72</b> * stem and disc connection - nut * stem- brass, throttling disc and seat ring - bronze * throttling disc * without position indicator
		15-300 mm	C 16bar	<b>92</b> * stem and disc connection - nut * stem - brass, throttling disc and seat ring - bronze * throttling disc * with position indicator

Data given can be changed without notice.

Edition 01/2013



figure	<b>215</b>
ends form	flange straight

## TYPES

figure	body material	nominal diameter DN	nominal pressure PN	type
215	A grey cast iron EN-GJL-250	15-50 mm	C 16bar	<b>00 - D</b> Tmax 80 °C * stem and disc connection - fixed - rolled * stem, disc and seat ring - stainless steel epoxy paint
		15-150 mm	C 16bar	<b>01 - D</b> Tmax 80 °C * stem and disc connection - nut * stem, disc and seat ring - stainless steel epoxy paint
		200-300 mm	C 16bar	<b>04 - D</b> Tmax 80 °C * stem and disc connection - nut * stem, disc and seat ring - stainless steel * balancing disc epoxy paint



figure	<b>215</b>
ends form	flange straight

## TYPES

figure	body material	nominal diameter DN	nominal pressure PN	type
215	C nodular cast iron EN-GJS-400-18-LT	15-150 mm	C 16bar	01 * stem and disc connection - nut * stem, disc and seat ring - stainless steel
		200 mm	C 16bar	04 * stem and disc connection - nut * stem, disc and seat ring - stainless steel * balancing disc
		15-150 mm	C 16bar	02 * stem and disc connection nut * stem - brass, disc and seat ring - bronze
		200 mm	C 16bar	05 * stem and disc connection - nut * stem- brass, disc and seat ring - bronze * balancing disc
		15-150 mm	C 16bar	03 * stem and disc connection nut * stem, disc and seat ring - bronze
		200 mm	C 16bar	13 * stem and disc connection - nut * stem, disc and seat ring - bronze * balancing disc
		15-200 mm	C 16bar	31 * loose disc with spring * stem, disc and seat ring - stainless steel
		15-200 mm	C 16bar	41 * loose disc without spring * stem, disc and seat ring - stainless steel
		15-200 mm	C 16bar	32 * loose disc with spring * stem - brass, disc and seat ring - bronze
		15-200 mm	C 16bar	42 * loose disc without spring * stem - brass, disc and seat ring - bronze
		15-200 mm	C 16bar	33 * loose disc with spring * stem, disc and seat ring - bronze
		15-200 mm	C 16bar	43 * loose disc without spring * stem, disc and seat ring - bronze
		15-200 mm	C 16bar	71 * stem and disc connection - nut * stem, throttling disc and seat ring - stainless steel * throttling disc * without position indicator
		15-200 mm	C 16bar	91 * stem and disc connection - nut * stem, throttling disc and seat ring - stainless steel * throttling disc * with position indicator
		15-200 mm	C 16bar	72 * stem and disc connection - nut * stem- brass, throttling disc and seat ring - bronze * throttling disc * without position indicator
		15-200 mm	C 16bar	92 * stem and disc connection - nut * stem - brass, throttling disc and seat ring - bronze * throttling disc * with position indicator

Data given can be changed without notice.

Edition 01/2013



figure	<b>215</b>
ends form	flange straight

## TYPES

figure	body material	nominal diameter DN	nominal pressure PN	type
215	C nodular cast iron EN-GJS-400-18-LT	15-150 mm	D 25bar	01 * stem and disc connection - nut * stem, disc and seat ring - stainless steel
		200 mm	D 25bar	04 * stem and disc connection - nut * stem, disc and seat ring - stainless steel * balancing disc
		15-150 mm	D 25bar	02 * stem and disc connection nut * stem - brass, disc and seat ring - bronze
		200 mm	D 25bar	05 * stem and disc connection - nut * stem - brass, disc and seat ring - bronze * balancing disc
		15-150 mm	D 25bar	03 * stem and disc connection nut * stem, disc and seat ring - bronze
		200 mm	D 25bar	13 * stem and disc connection - nut * stem, disc and seat ring - bronze * balancing disc
		15-200 mm	D 25bar	31 * loose disc with spring * stem, disc and seat ring - stainless steel
		15-200 mm	D 25bar	41 * loose disc without spring * stem, disc and seat ring - stainless steel
		15-200 mm	D 25bar	32 * loose disc with spring * stem - brass, disc and seat ring - bronze
		15-200 mm	D 25bar	42 * loose disc without spring * stem - brass, disc and seat ring - bronze
		15-200 mm	D 25bar	33 * loose disc with spring * stem, disc and seat ring - bronze
		15-200 mm	D 25bar	43 * loose disc without spring * stem, disc and seat ring - bronze
		15-200 mm	D 25bar	71 * stem and disc connection - nut * stem, throttling disc and seat ring - stainless steel * throttling disc * without position indicator
		15-200 mm	D 25bar	91 * stem and disc connection - nut * stem, throttling disc and seat ring - stainless steel * throttling disc * with position indicator

Data given can be changed without notice.

Edition 01/2013



figure	<b>215</b>
ends form	flange straight

## TYPES

figure	body material	nominal diameter DN	nominal pressure PN	type	
215	E bronze CuZn5Zn5Pb5-C	15-125 mm	C 16bar	03 * stem and disc connection nut * stem, disc and seat ring - bronze	
			B 10bar	33 * loose disc with spring * stem, disc and seat ring - bronze	
			A 6bar	43 * loose disc without spring * stem, disc and seat ring - bronze	
		15-150 mm	C 16bar	C 16bar	23 * stem and disc connection - nut * with position indicator * stem, disc and seat ring - bronze
					53 * loose disc with spring * with position indicator * stem, disc and seat ring - bronze
					63 * loose disc without spring * with position indicator * stem, disc and seat ring - bronze
					73 * stem and disc connection - nut * throttling disc - bronze * without position indicator
		15-150 mm	C 16bar	C 16bar	93 * stem and disc connection - nut * throttling disc - bronze * with position indicator

Data given can be changed without notice.

Edition 01/2013



figure	<b>215</b>
ends form	flange straight

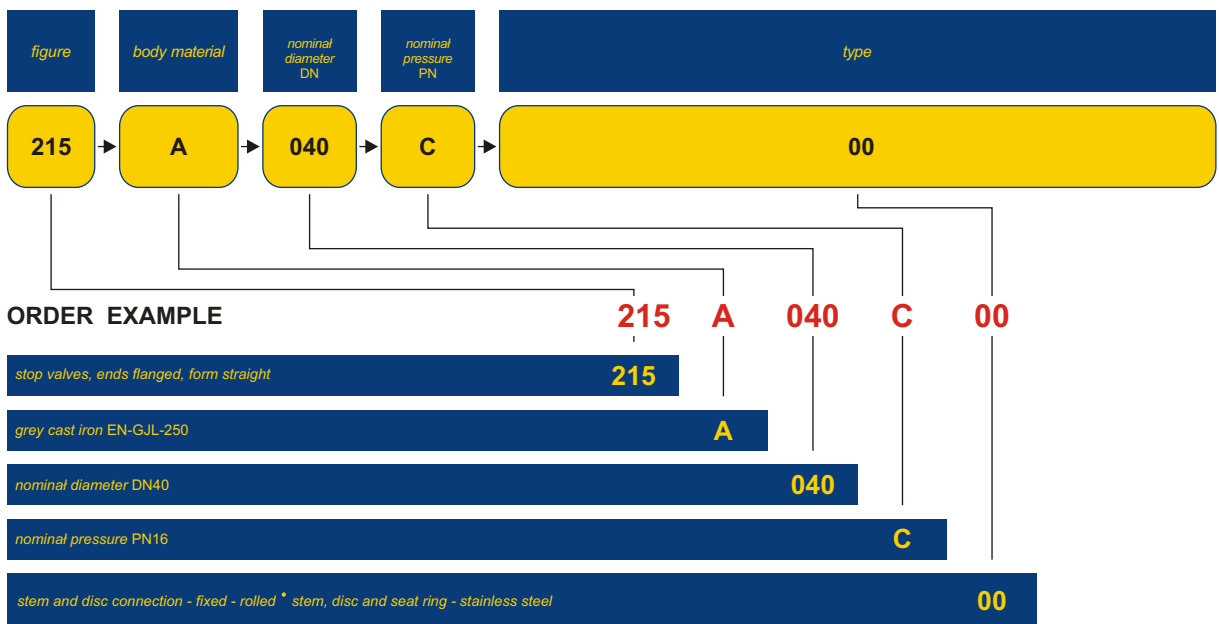
## TYPES

figure	body material	nominal diameter DN	nominal pressure PN	type
215	F staliwo cast steel GP240GH 1.0619	15-150 mm	E 40bar	01 * stem and disc connection - nut * stem, disc and seat ring - stainless steel
		200 mm	E 40bar	00 * stem and disc connection balls * stem, throttling disc and seat ring - stainless steel
		15-200 mm	E 40bar	31 * loose disc with spring * stem, disc and seat ring - stainless steel
		15-200 mm	E 40bar	71 * stem and disc connection - nut * stem, disc and seat ring - stainless steel * throttling disc

\* DN 200 on request

## ORDERING

To place an order please use our product number (index)



Data given can be changed without notice.

Edition 01/2013